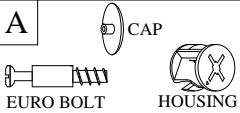
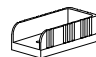

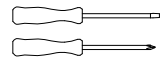



# ASSEMBLY INSTRUCTION

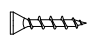
MODEL:EXV24

| PART   | QTY    |
|--|--------|
|  <p>EURO BOLT<br/>HOUSING</p> | 8 Sets |

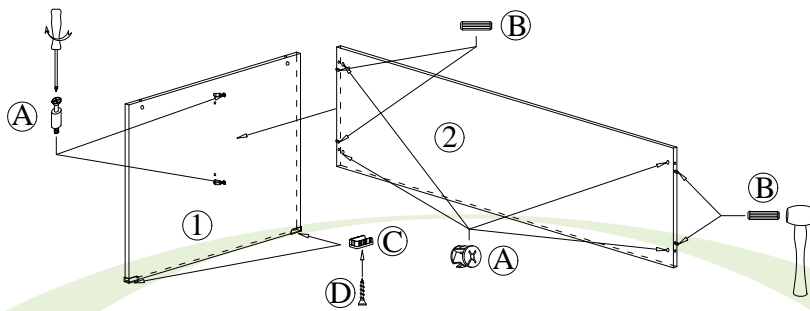
| PART  | QTY   |
|---|-------|
|  <p>LEG STOPPER 16MM</p> | 4 Pcs |

| <i>Tools Required</i>   |   |
|---|---|
|  <p>HAMMER</p> |  <p>SCREWDRIVER</p> |

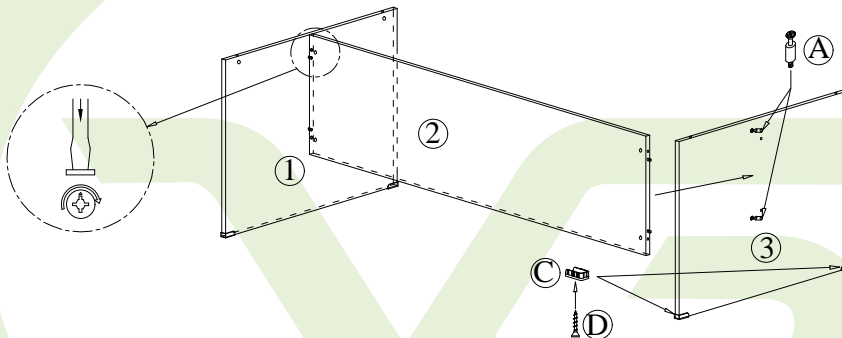
| PART  | QTY   |
|---|-------|
|  <p>WOOD DOWEL<br/>M8 x 30mm</p> | 4 Pcs |

| PART   | QTY   |
|--|-------|
|  <p>CSK M3.5 x 16mm</p> | 4 Pcs |

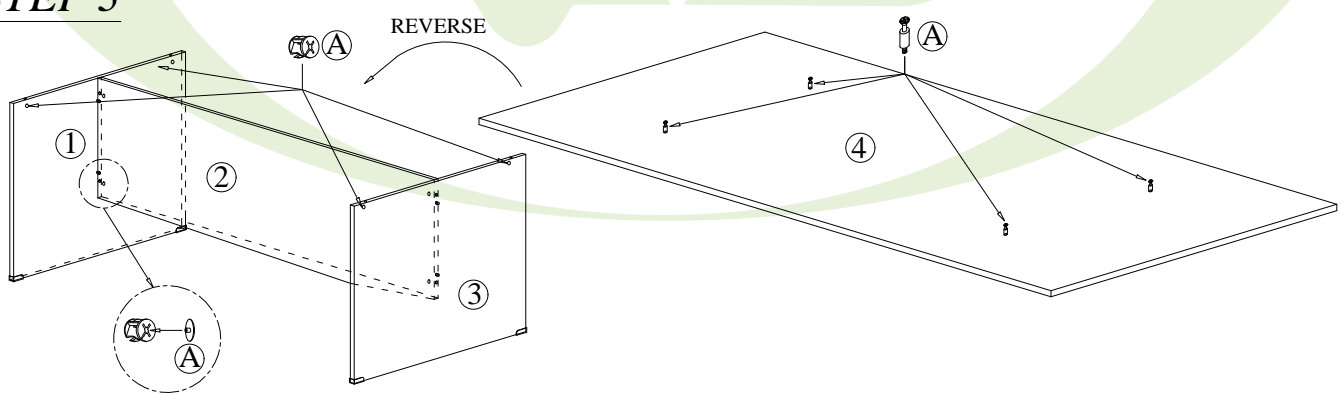
## STEP 1



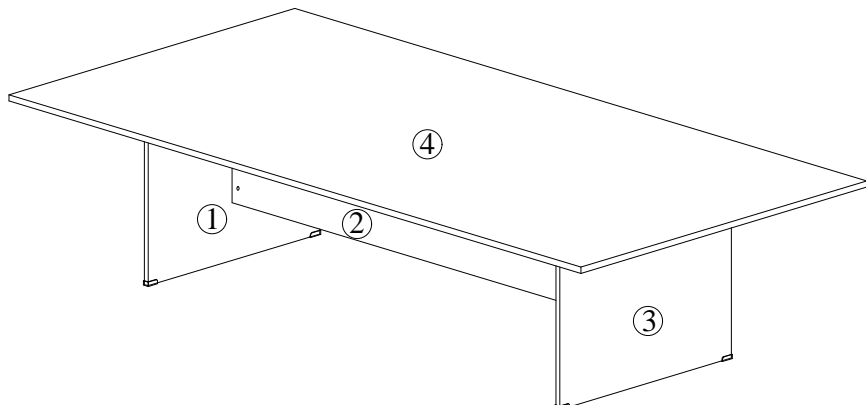
## STEP 2



## STEP 3

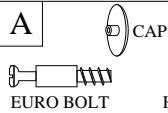
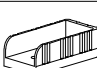

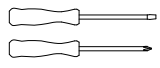
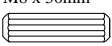
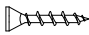


## FINISHING

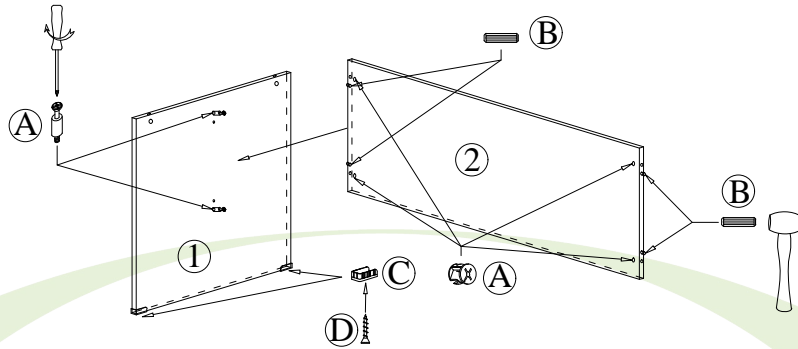


# ASSEMBLY INSTRUCTION

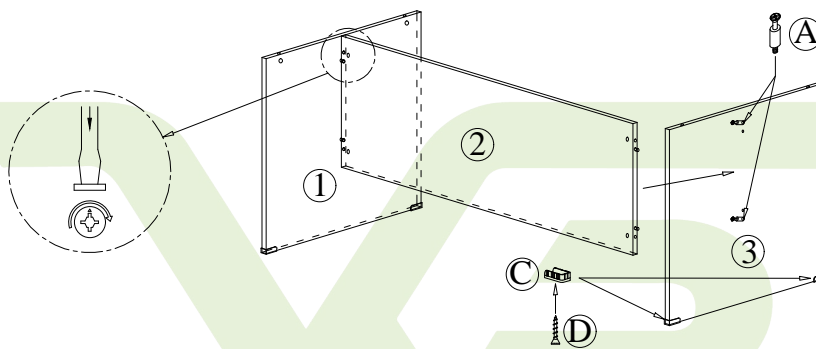
MODEL:EXV18

| PART  | QTY       | PART   | QTY      | <i>Tools Required</i>   |  |
|---|-----------|--|----------|---|--|
| A<br><br>EURO BOLT      CAP<br>HOUSING | 8<br>Sets | C<br><br>LEG STOPPER 16MM | 4<br>Pcs |  |  |
| PART  | QTY       | PART   | QTY      |   |  |
| B<br><br>WOOD DOWEL<br>M8 x 30mm       | 4<br>Pcs  | D<br><br>CSK M3.5 x 16mm  | 4<br>Pcs |   |  |

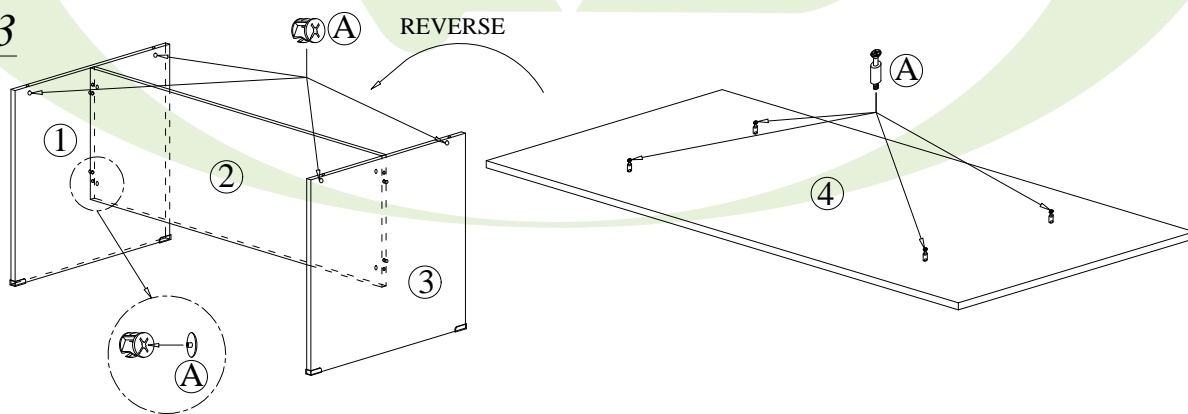
## STEP 1



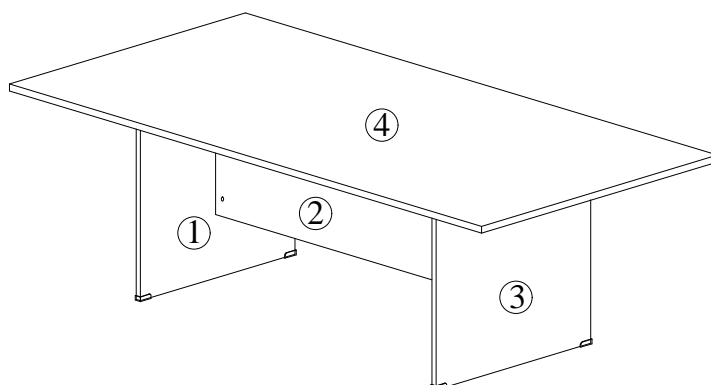
## STEP 2



## STEP 3

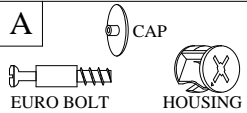


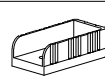
## FINISHING


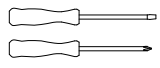


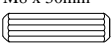
# ASSEMBLY INSTRUCTION

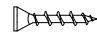
MODEL:EXT188

| PART   | QTY    |
|--|--------|
| <br>EURO BOLT      CAP      HOUSING | 8 Sets |

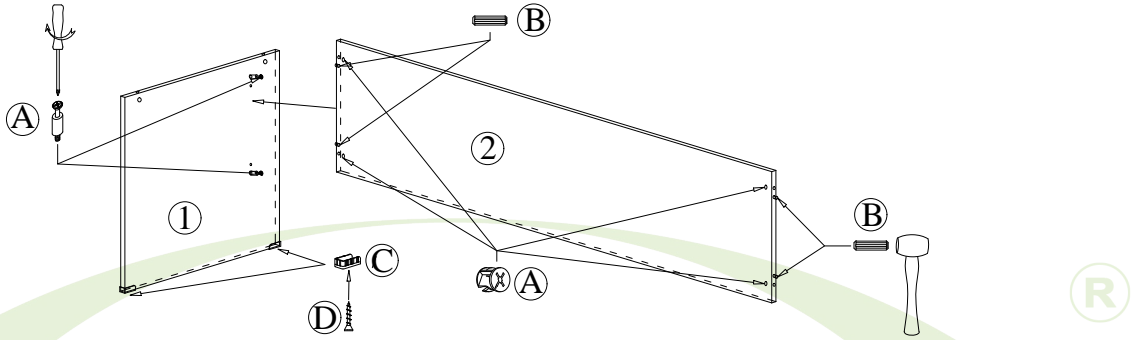
| PART  | QTY   |
|---|-------|
| <br>LEG STOPPER 16MM | 4 Pcs |

| <i>Tools Required</i>   |   |
|---|---|
| <br>HAMMER | <br>SCREWDRIVER |

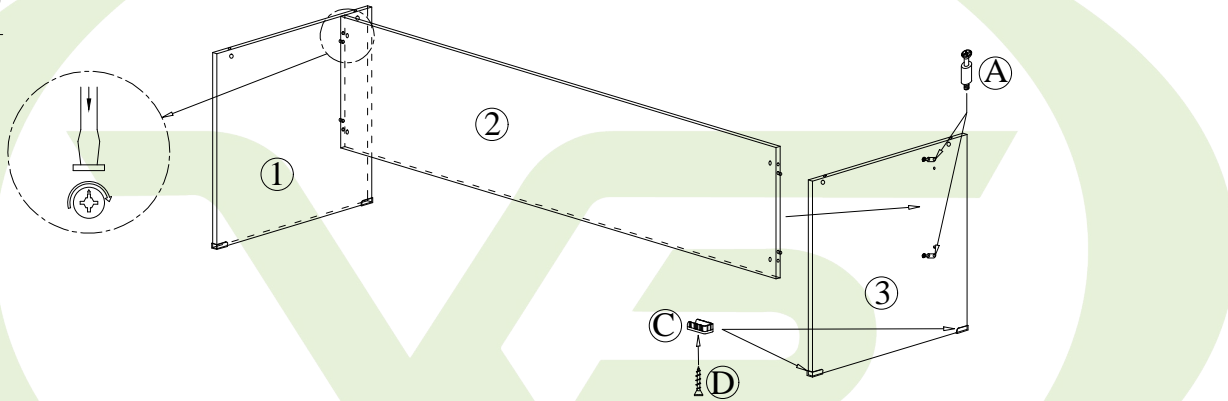
| PART   | QTY   |
|--|-------|
| <br>WOOD DOWEL<br>M8 x 30mm | 4 Pcs |

| PART   | QTY   |
|--|-------|
| <br>CSK M3.5 x 16mm | 4 Pcs |

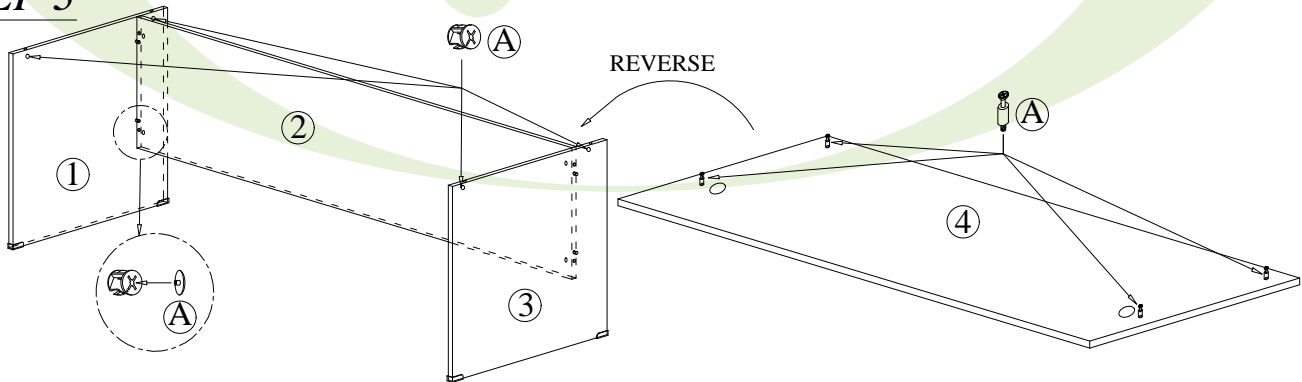
## STEP 1



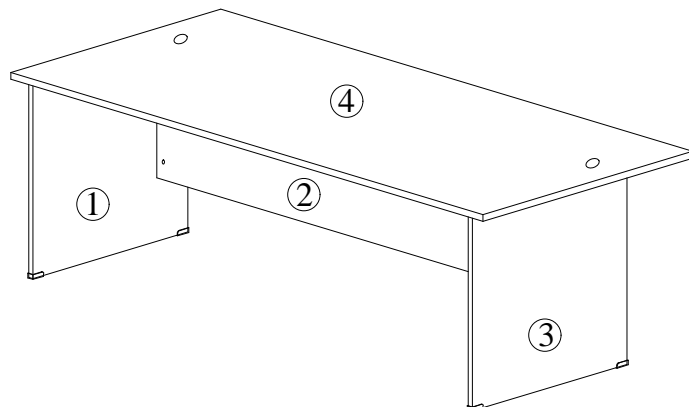
## STEP 2



## STEP 3

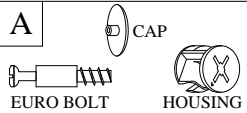


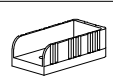
## FINISHING


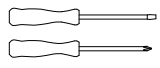


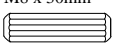
# ASSEMBLY INSTRUCTION

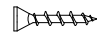
MODEL:EXT187

| PART  | QTY    |
|---|--------|
| <br>EURO BOLT      HOUSING | 8 Sets |

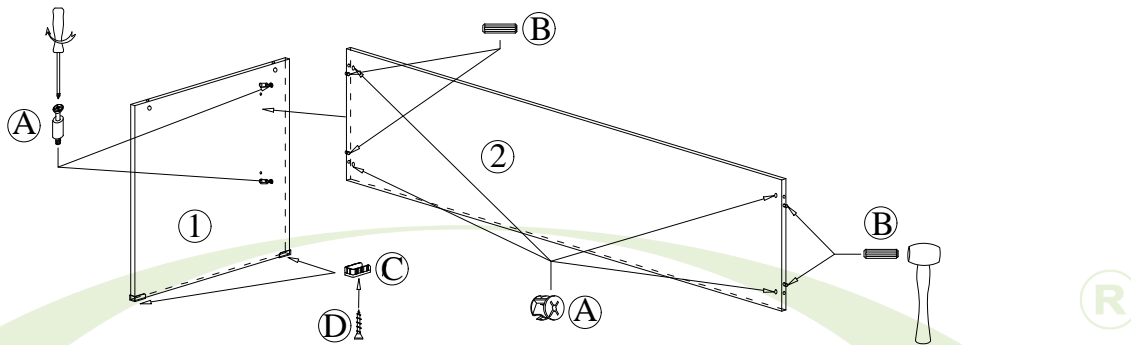
| PART  | QTY   |
|---|-------|
| <br>LEG STOPPER 16MM | 4 Pcs |

| <i>Tools Required</i>   |   |
|---|---|
| <br>HAMMER | <br>SCREWDRIVER |

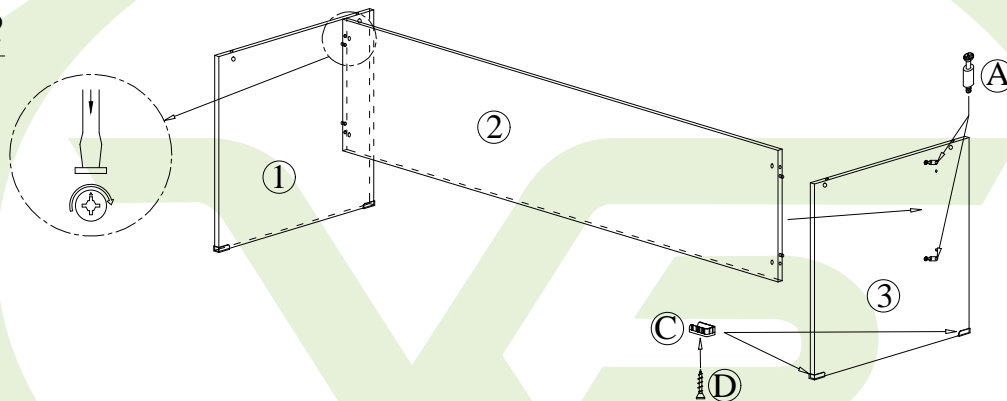
| PART   | QTY   |
|--|-------|
| <br>WOOD DOWEL<br>M8 x 30mm | 4 Pcs |

| PART   | QTY   |
|--|-------|
| <br>CSK M3.5 x 16mm | 4 Pcs |

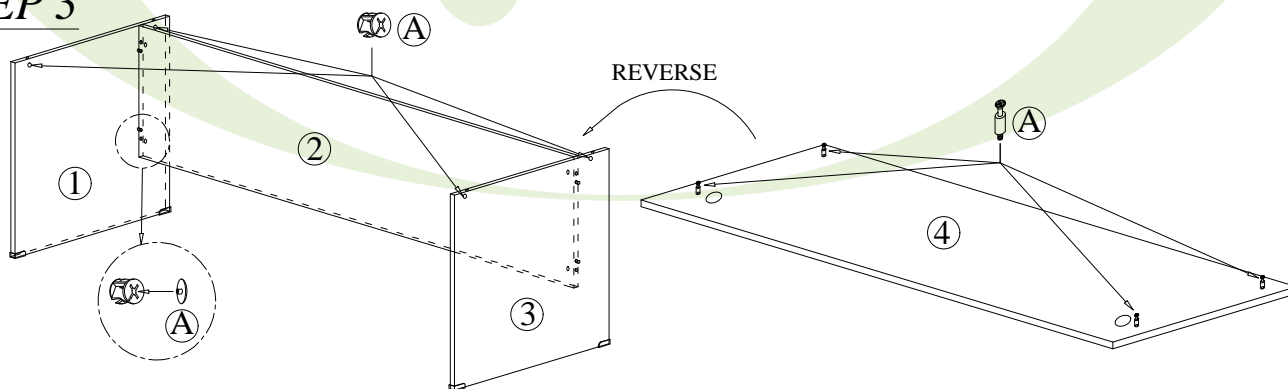
## STEP 1



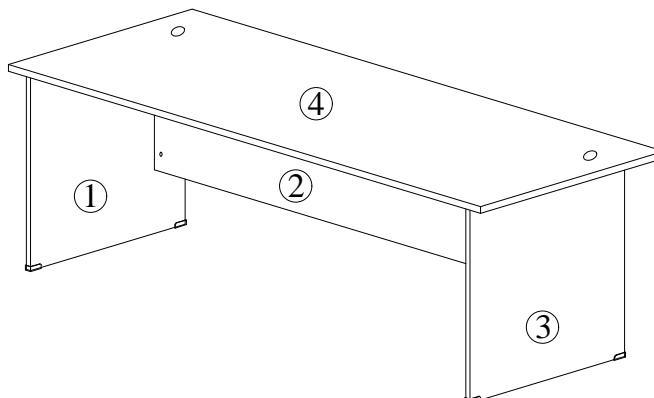
## STEP 2



## STEP 3

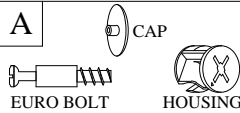
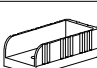

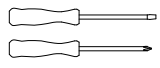
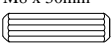
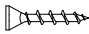


## FINISHING

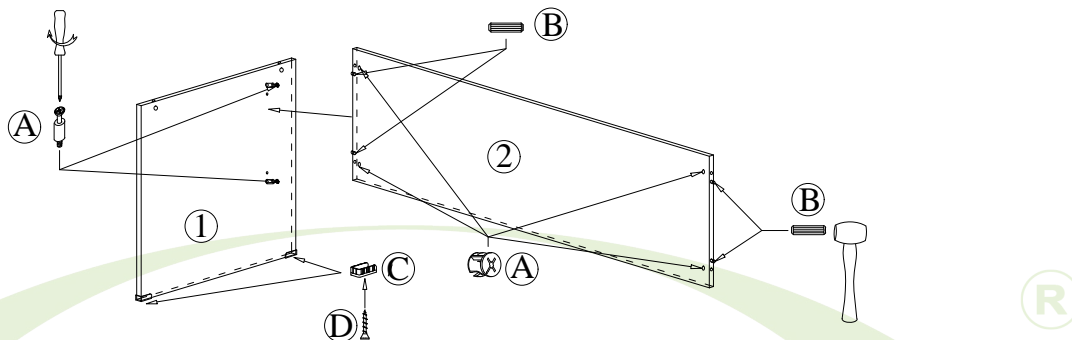


# ASSEMBLY INSTRUCTION

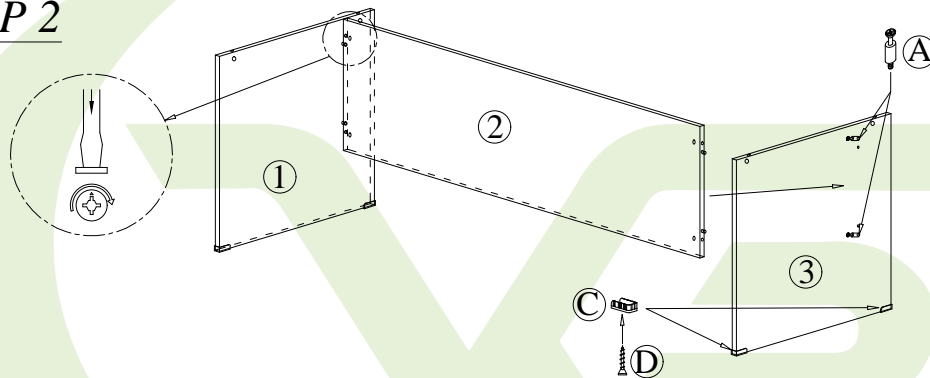
MODEL:EXT157

| PART  | QTY       | PART   | QTY      | <i>Tools Required</i>   |  |
|---|-----------|--|----------|---|--|
| A<br><br>EURO BOLT      CAP<br>HOUSING | 8<br>Sets | C<br><br>LEG STOPPER 16MM | 4<br>Pcs |  |  |
| PART  | QTY       | PART   | QTY      |   |  |
| B<br><br>WOOD DOWEL<br>M8 x 30mm       | 4<br>Pcs  | D<br><br>CSK M3.5 x 16mm  | 4<br>Pcs |   |  |

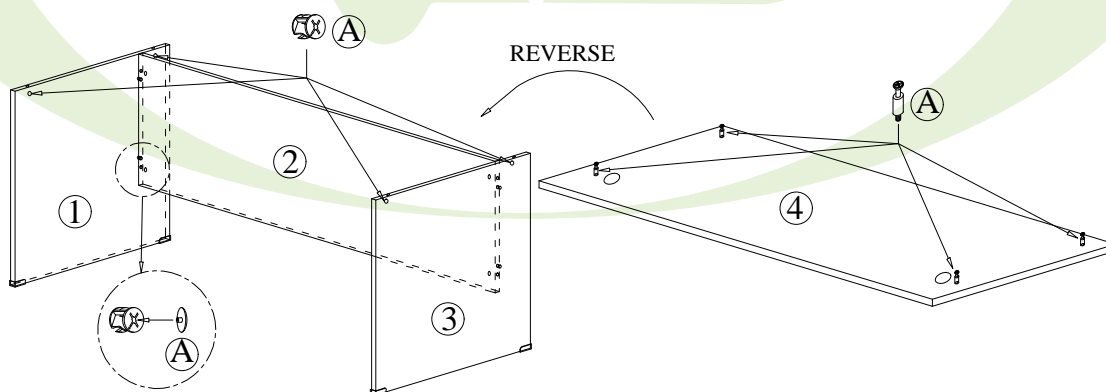
## STEP 1



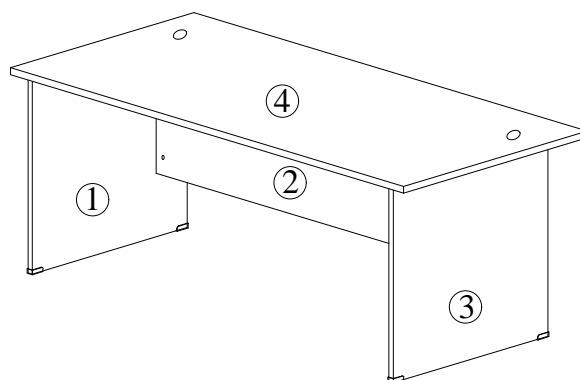
## STEP 2



## STEP 3

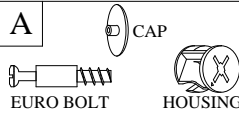
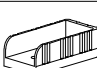

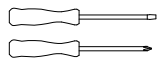
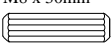
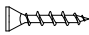


## FINISHING

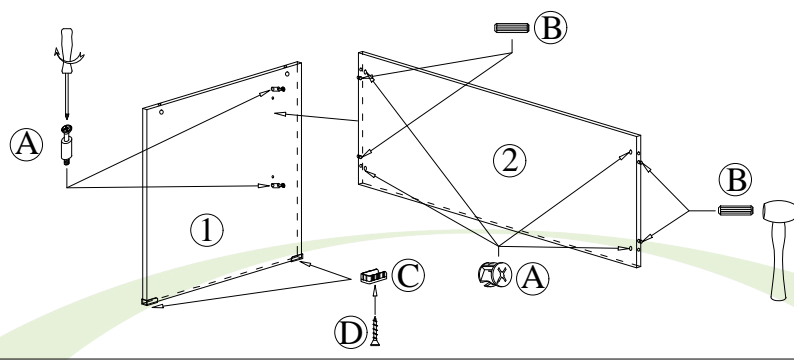


# ASSEMBLY INSTRUCTION

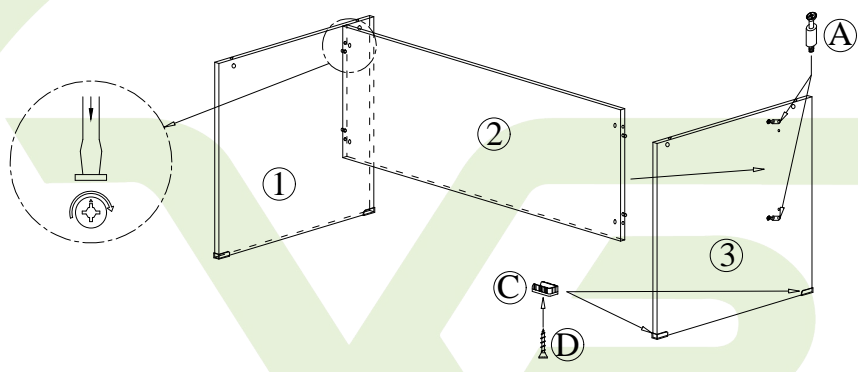
MODEL:EXT127

| PART  | QTY       | PART   | QTY      | <i>Tools Required</i>   |  |
|---|-----------|--|----------|---|--|
| A<br><br>EURO BOLT      CAP<br>HOUSING | 8<br>Sets | C<br><br>LEG STOPPER 16MM | 4<br>Pcs |  |  |
| PART  | QTY       | PART   | QTY      |   |  |
| B<br><br>WOOD DOWEL<br>M8 x 30mm       | 4<br>Pcs  | D<br><br>CSK M3.5 x 16mm  | 4<br>Pcs |   |  |

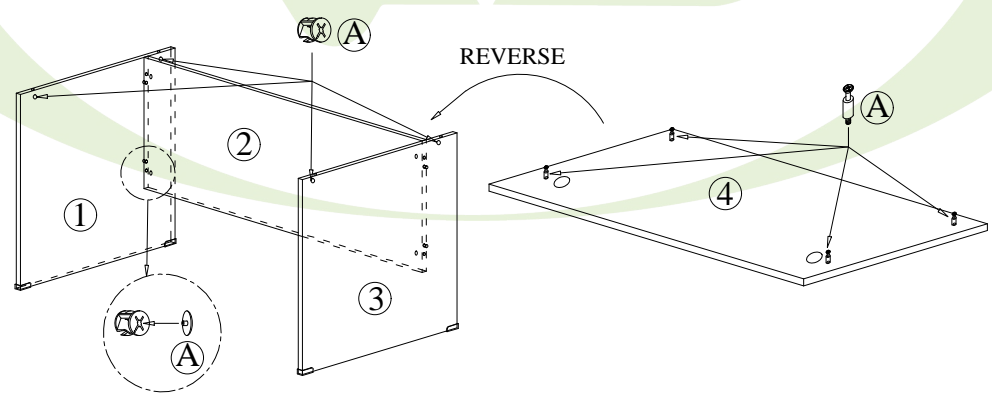
## STEP 1



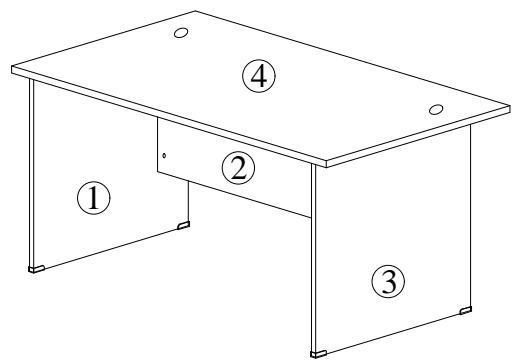
## STEP 2



## STEP 3

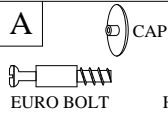
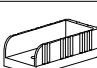

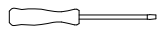

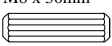
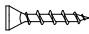


## FINISHING

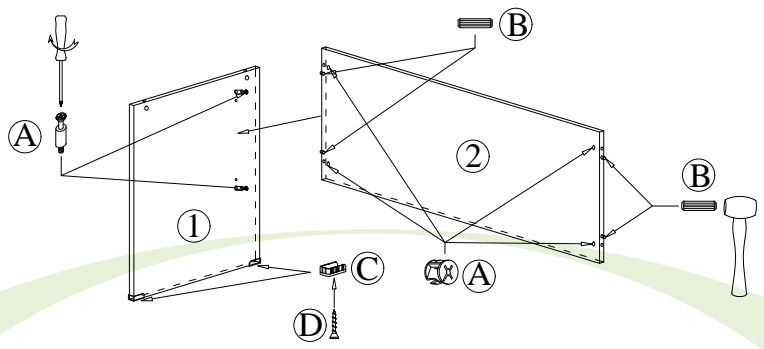


# ASSEMBLY INSTRUCTION

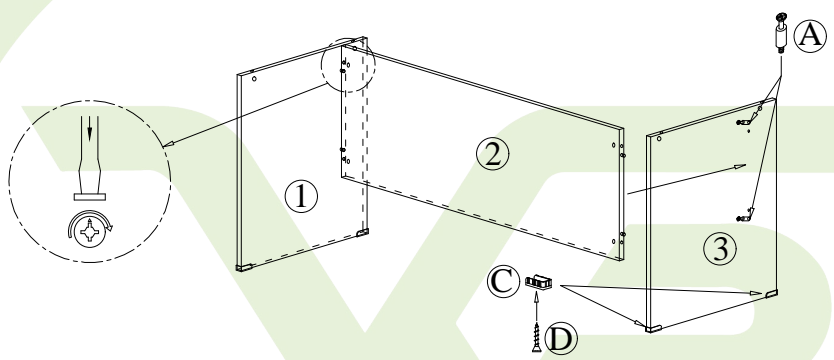
MODEL:EXT126

| PART  | QTY    | PART   | QTY   | <i>Tools Required</i>   |  |
|---|--------|--|-------|---|--|
| A<br><br>EURO BOLT      CAP<br>HOUSING | 8 Sets | C<br><br>LEG STOPPER 16MM | 4 Pcs |  | <br> |
| PART  | QTY    | PART   | QTY   |   |  |
| B<br><br>WOOD DOWEL<br>M8 x 30mm       | 4 Pcs  | D<br><br>CSK M3.5 x 16mm  | 4 Pcs |   |  |

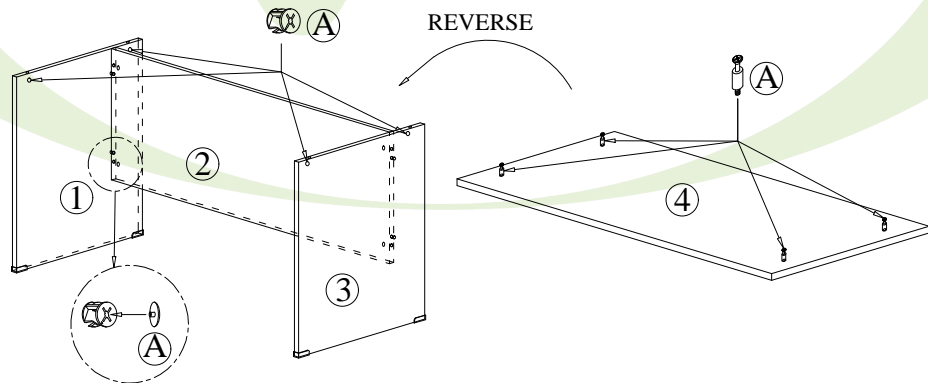
## STEP 1



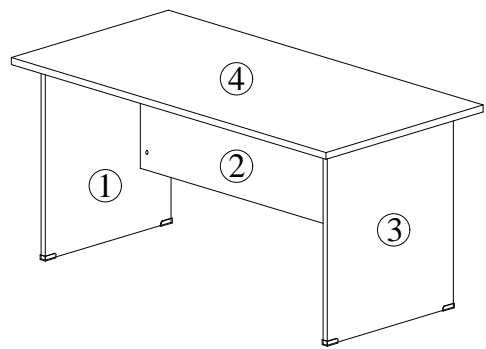
## STEP 2



## STEP 3

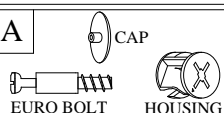


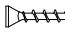
## FINISHING

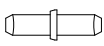




# ASSEMBLY INSTRUCTION

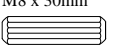
MODEL: EXS1060

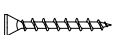
| PART   | QTY     |
|--|---------|
| <br>EURO BOLT HOUSING | 16 Sets |


| PART   | QTY   |
|--|-------|
| <br>CSK M3.5 x 16mm | 4 Pcs |

| PART   | QTY   |
|--|-------|
| <br>SHELF SUPPORT | 8 Pcs |

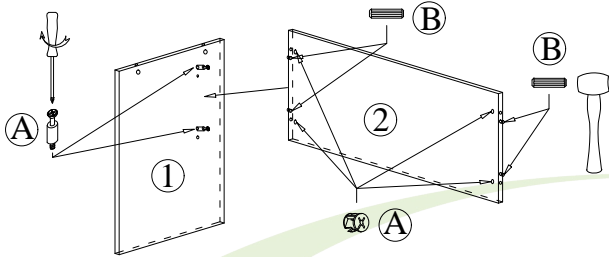
| Tools Required  |   |
|---|---|
|  |  |
| HAMMER  | SCREWDRIVER   |

| PART  | QTY    |
|---|--------|
| <br>WOOD DOWEL M8 x 30mm | 12 Pcs |

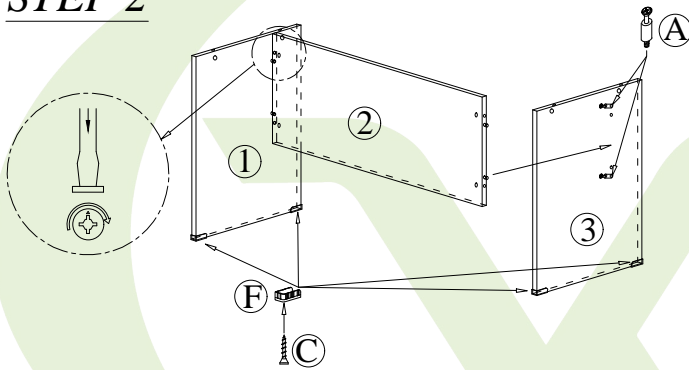
| PART   | QTY   |
|--|-------|
| <br>CSK M4 x 38mm | 4 Pcs |

| PART  | QTY   |
|---|-------|
| <br>LEG STOPPER 16MM | 4 Pcs |

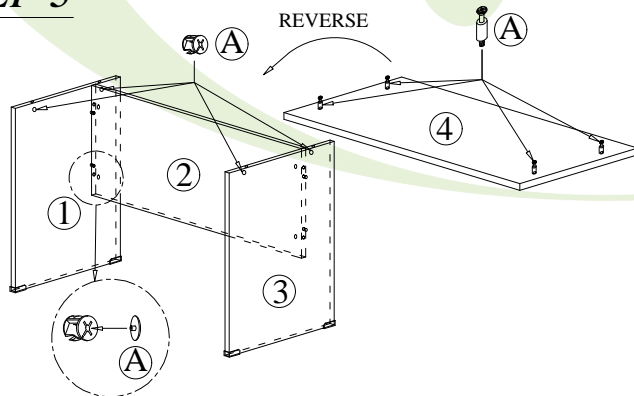
## STEP 1



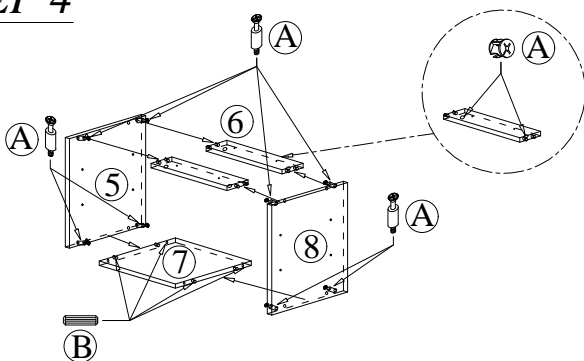
## STEP 2



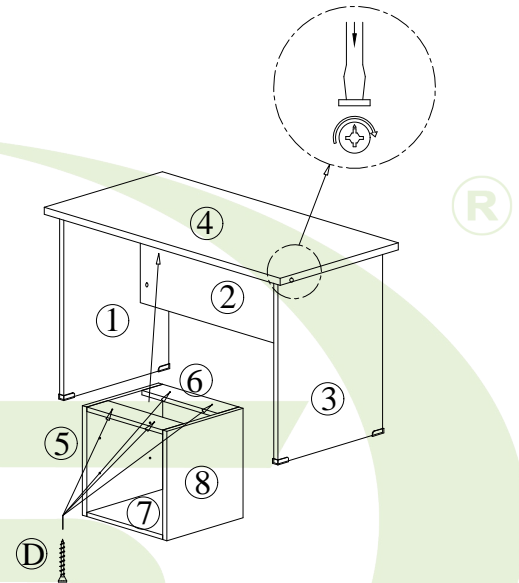
## STEP 3



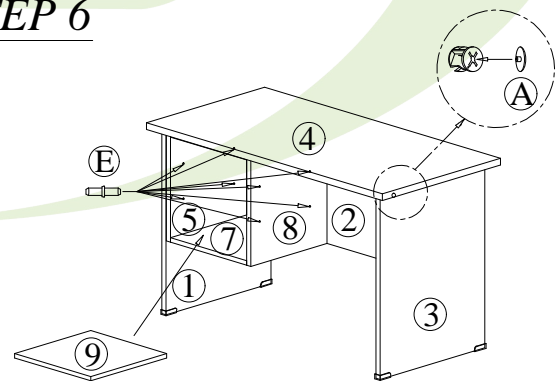
## STEP 4



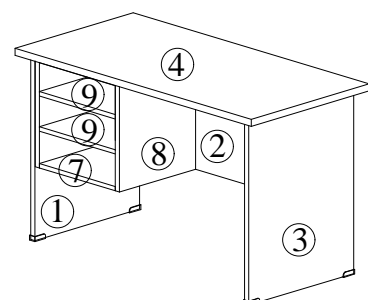
## STEP 5



## STEP 6








## FINISHING



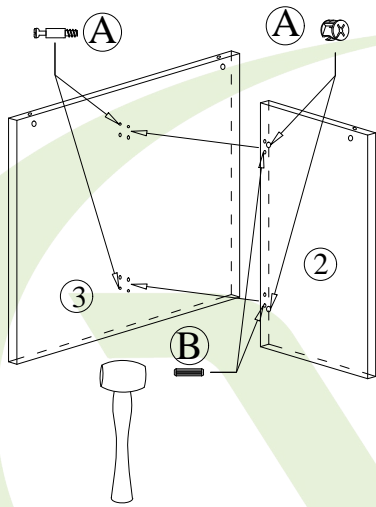


# ASSEMBLY INSTRUCTION

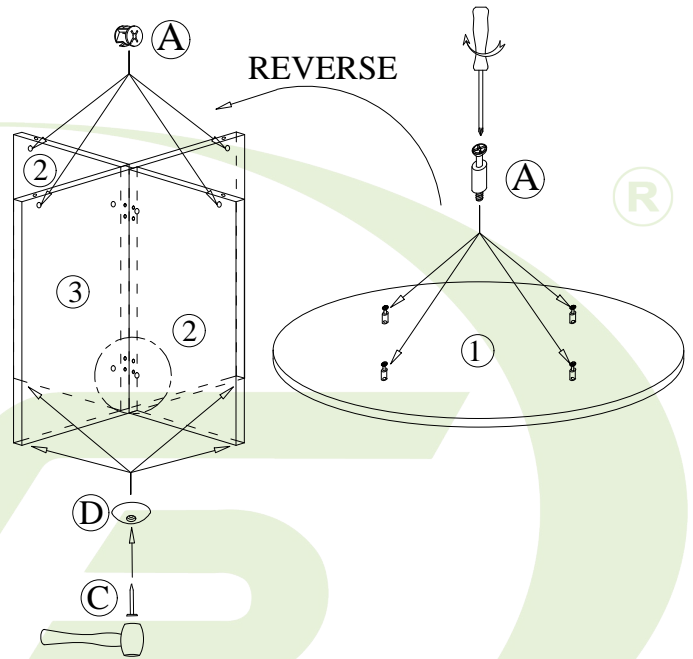
MODEL: EXR120

| PART  | QTY       | PART                    | QTY      | <i>Tools Required</i>   |  |
|---|-----------|-------------------------|----------|---|--|
| <b>A</b>  | 8<br>Sets | <b>C</b>                | 4<br>Pcs |  |  |
|  |           | Nail 6/8"               |          |   |  |
| <b>B</b>  | 4<br>Pcs  | <b>D</b>                | 4<br>Pcs |   |  |
|  |           | WOOD DOWEL<br>M8 x 30mm |          |  | PVC Nail 5/8"  |

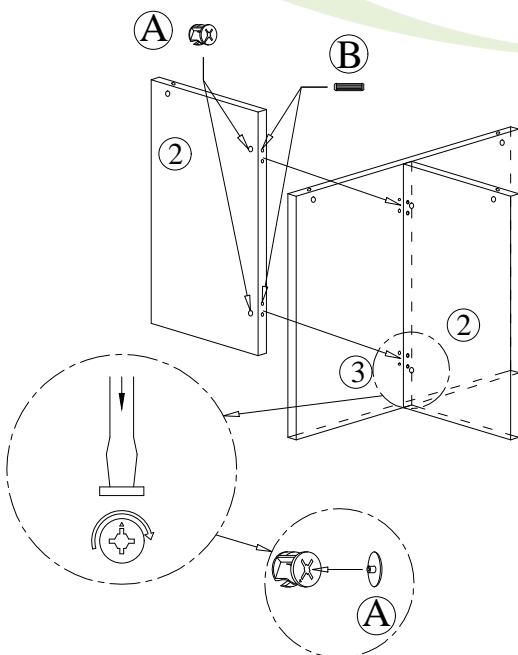
## STEP 1



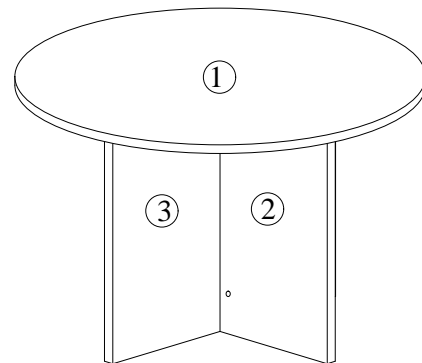
## STEP 3



## STEP 2


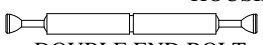



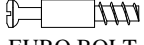
## FINISHING




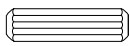
# ASSEMBLY INSTRUCTION

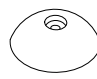
MODEL: EXR90


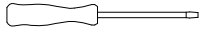
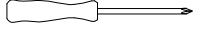

| PART  | QTY       |
|---|-----------|
| <b>A</b>  CAP HOUSING<br> DOUBLE END BOLT | 2<br>Sets |

| PART  | QTY       |
|---|-----------|
| <b>C</b>  CAP HOUSING<br> EURO BOLT | 4<br>Sets |

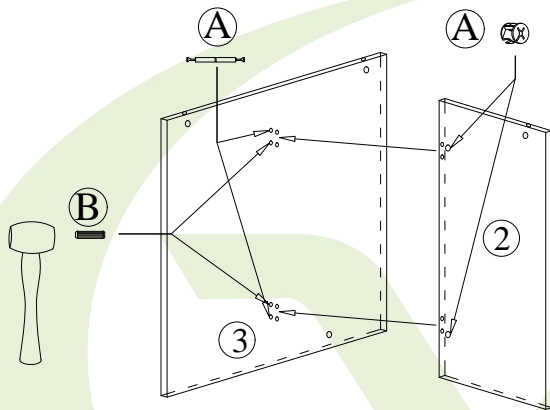
| PART   | QTY      |
|--|----------|
| <b>E</b>  Nail 6/8" | 4<br>Pcs |

| PART  | QTY      |
|---|----------|
| <b>B</b>  WOOD DOWEL M8 x 30mm | 4<br>Pcs |

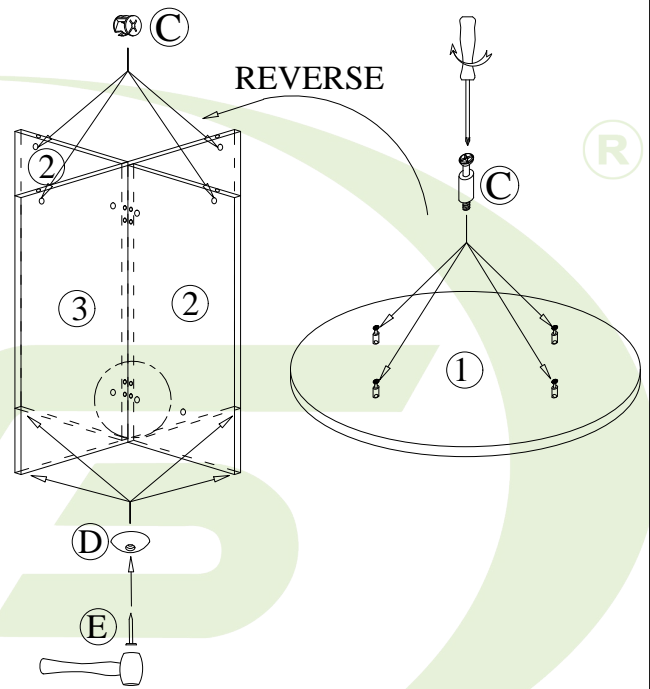
| PART   | QTY      |
|--|----------|
| <b>D</b>  PVC Nail 5/8" | 4<br>Pcs |

| <i>Tools Required</i>  |   |
|--|---|
|  HAMMER |  SCREWDRIVER |
|         |              |

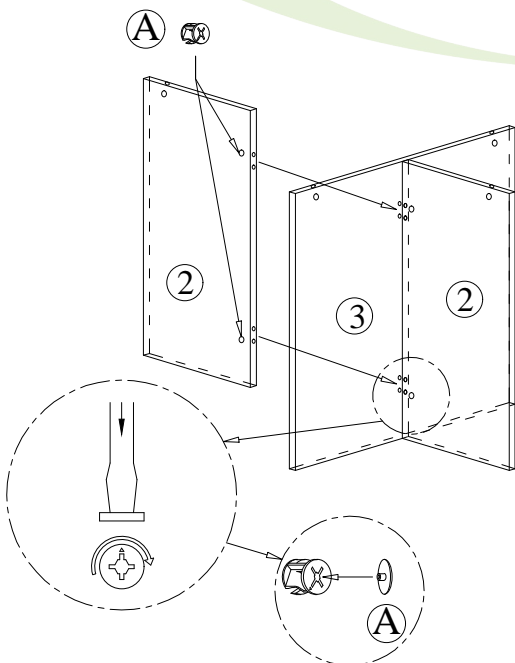
## STEP 1



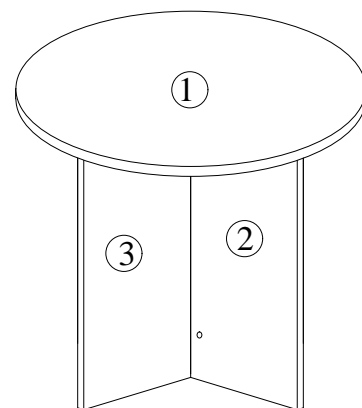
## STEP 3



## STEP 2

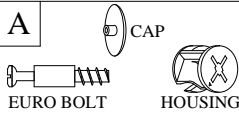


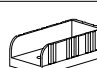
## FINISHING

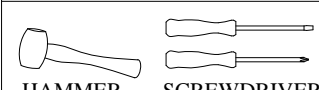


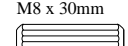
# ASSEMBLY INSTRUCTION

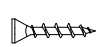
MODEL:EXO24

| PART   | QTY    |
|--|--------|
| <b>A</b><br><br>EURO BOLT      CAP      HOUSING | 8 Sets |

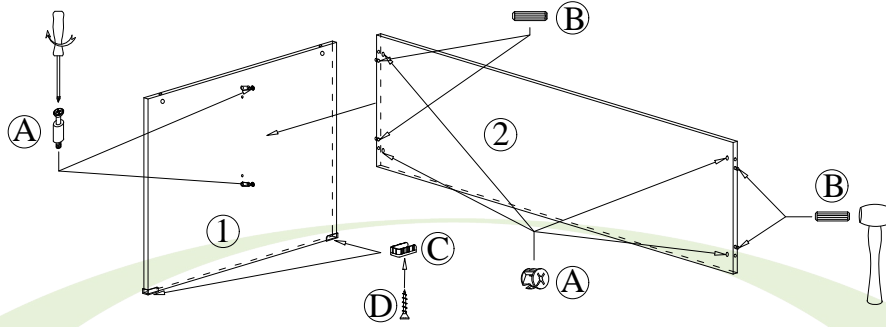
| PART  | QTY   |
|---|-------|
| <b>C</b><br><br>LEG STOPPER 16MM | 4 Pcs |

| Tools Required  |
|---|
| <br>HAMMER      SCREWDRIVER |

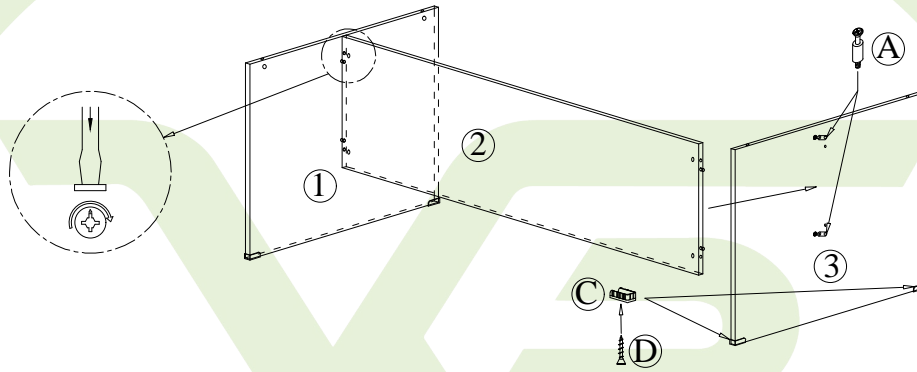
| PART   | QTY   |
|--|-------|
| <b>B</b><br>WOOD DOWEL<br>M8 x 30mm<br> | 4 Pcs |

| PART   | QTY   |
|--|-------|
| <b>D</b><br><br>CSK M3.5 x 16mm | 4 Pcs |

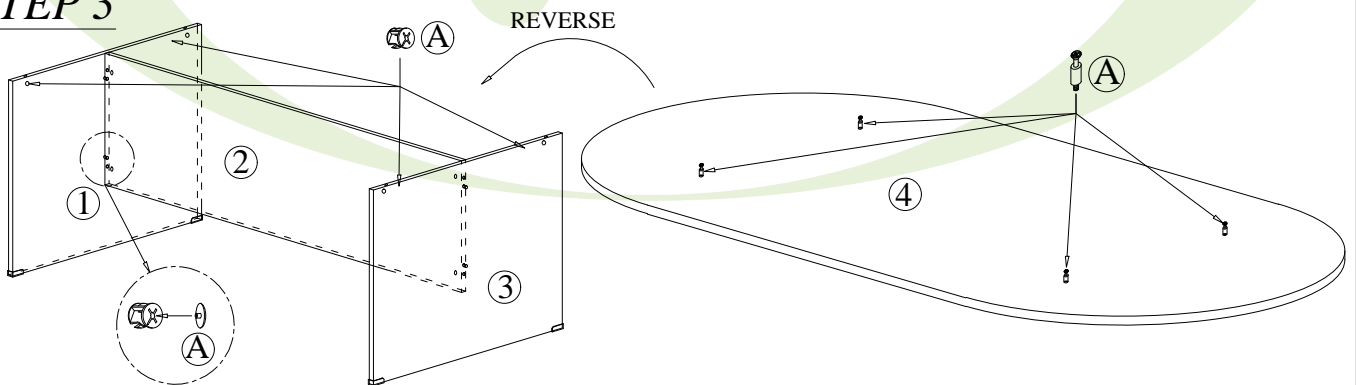
## STEP 1



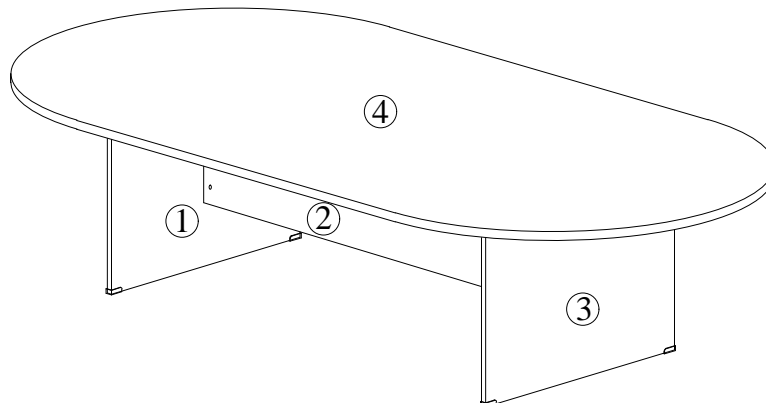
## STEP 2



## STEP 3

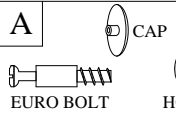
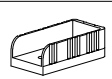
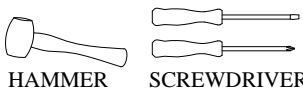
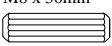
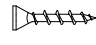


## FINISHING

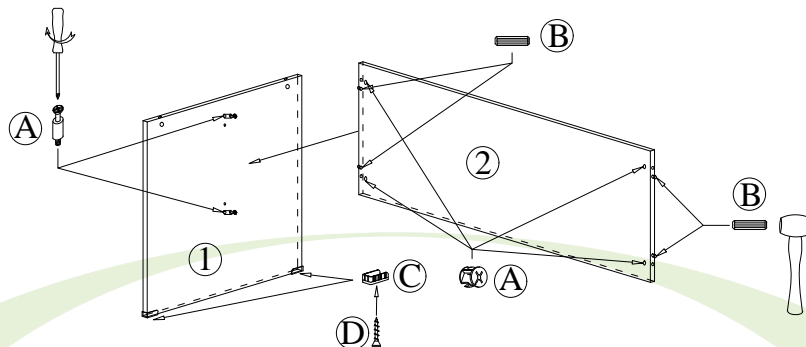


# ASSEMBLY INSTRUCTION

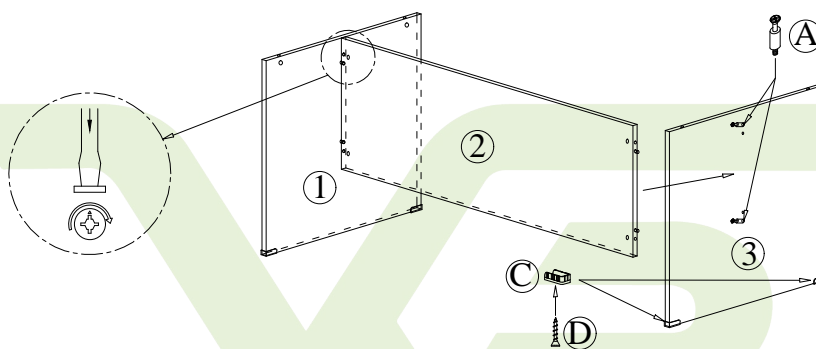
MODEL:EXO18

| PART  | QTY       | PART   | QTY      | <i>Tools Required</i>   |  |
|---|-----------|--|----------|---|--|
| A<br><br>EURO BOLT      CAP<br>HOUSING | 8<br>Sets | C<br><br>LEG STOPPER 16MM | 4<br>Pcs | <br>HAMMER      SCREWDRIVER |  |
| PART  | QTY       | PART   | QTY      |   |  |
| B<br><br>WOOD DOWEL<br>M8 x 30mm       | 4<br>Pcs  | D<br><br>CSK M3.5 x 16mm  | 4<br>Pcs |   |  |

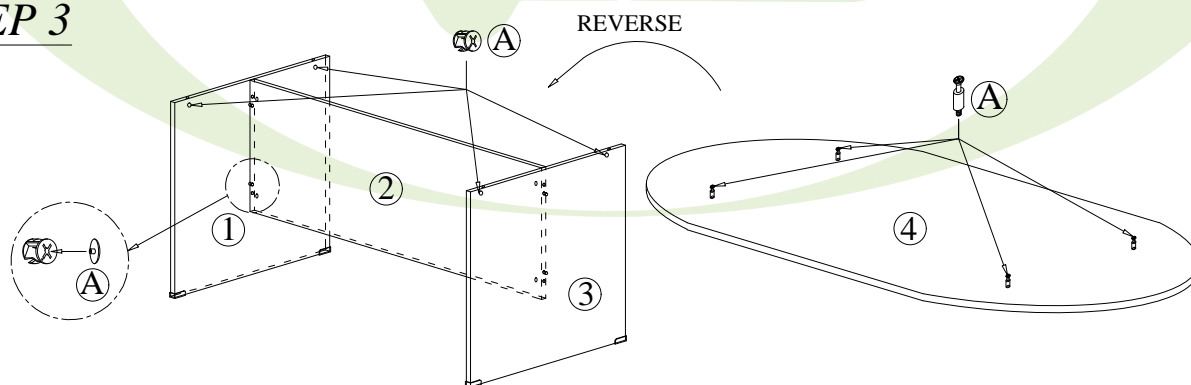
## STEP 1



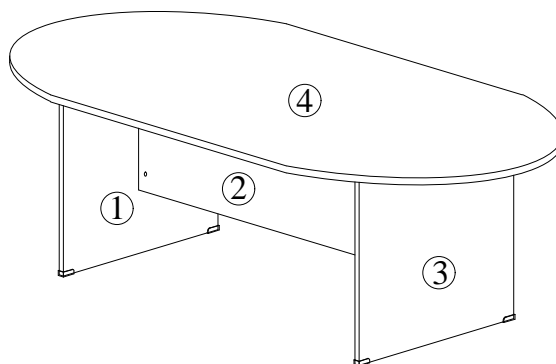
## STEP 2



## STEP 3

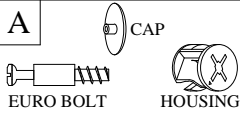


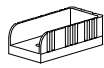
## FINISHING

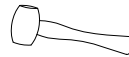



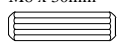
# ASSEMBLY INSTRUCTION

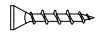
MODEL:EXMB180A

| PART  | QTY    |
|---|--------|
|  <p>EURO BOLT      HOUSING</p> | 8 Sets |

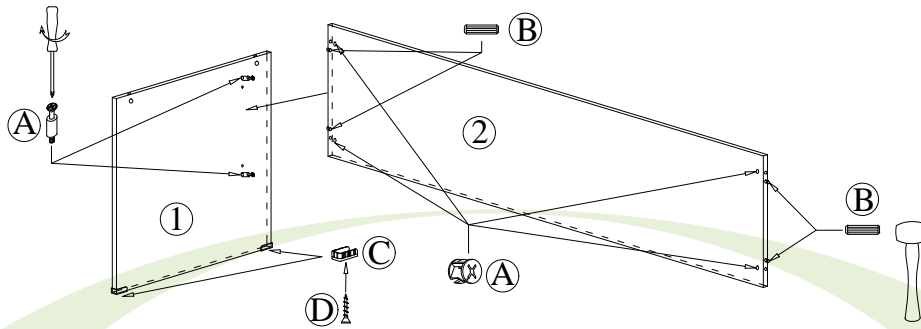
| PART  | QTY   |
|---|-------|
|  <p>LEG STOPPER 16MM</p> | 4 Pcs |

| <i>Tools Required</i>   |  |
|---|--|
|  |  |
| HAMMER  | SCREWDRIVER  |

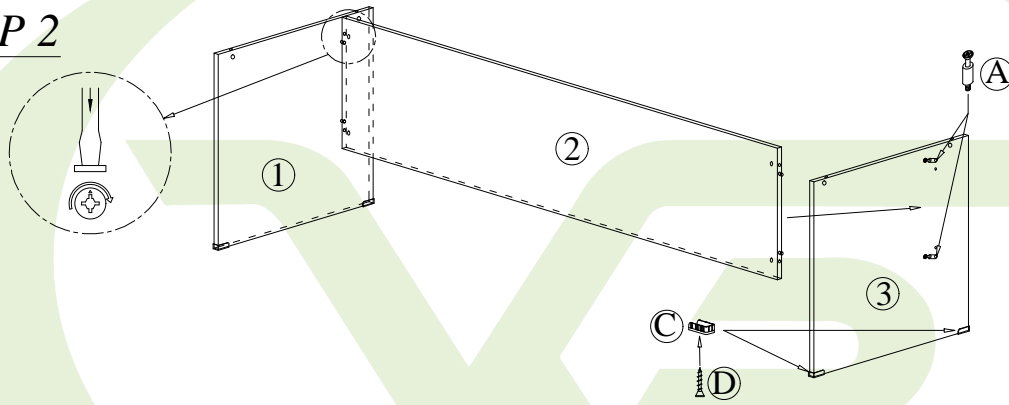
| PART  | QTY   |
|---|-------|
|  <p>WOOD DOWEL<br/>M8 x 30mm</p> | 4 Pcs |

| PART   | QTY   |
|--|-------|
|  <p>CSK M3.5 x 16mm</p> | 4 Pcs |

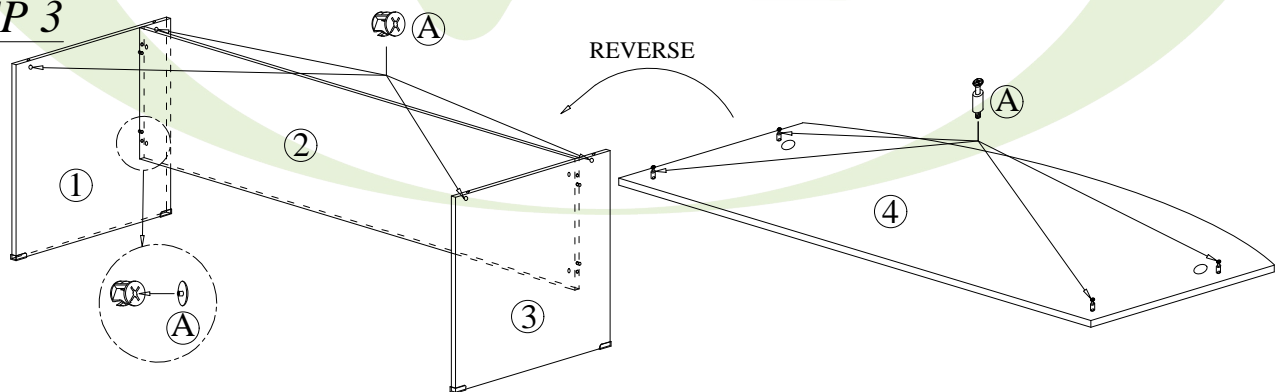
## STEP 1



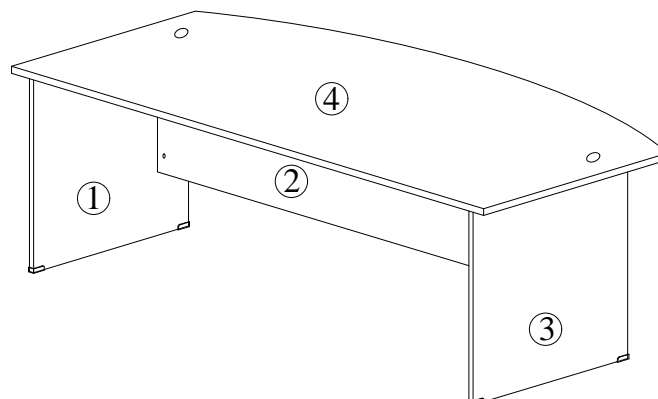
## STEP 2



## STEP 3

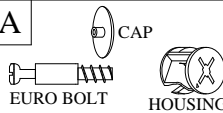
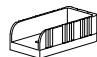
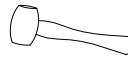
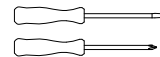

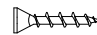


## FINISHING

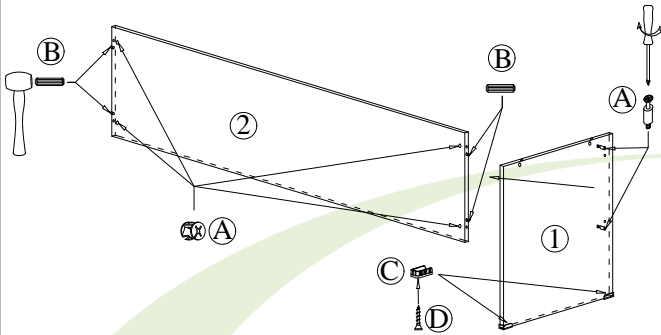


# ASSEMBLY INSTRUCTION

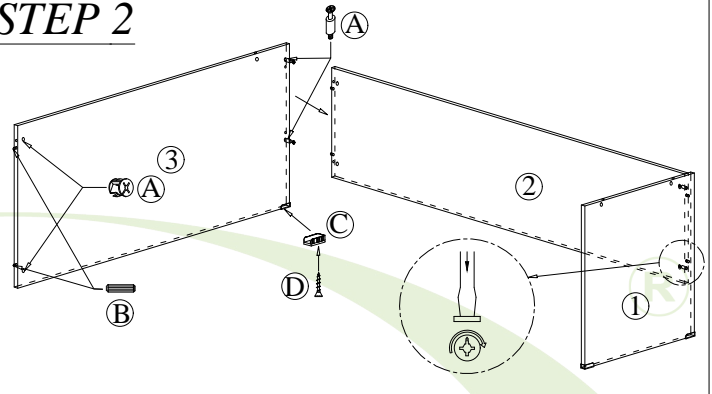
MODEL:EXL1815(L)

| PART   | QTY     | PART  | QTY   | <i>Tools Required</i>   |   |
|--|---------|---|-------|---|---|
| <b>A</b><br><br>EURO BOLT<br>HOUSING    | 11 Sets | <b>C</b><br><br>LEG STOPPER 16MM | 5 Pcs | <br>HAMMER | <br>SCREWDRIVER |
| PART   | QTY     | PART  | QTY   |   |   |
| <b>B</b><br>WOOD DOWEL<br>M8 x 30mm<br> | 6 Pcs   | <b>D</b><br><br>CSK M3.5 x 16mm  | 5 Pcs |   |   |

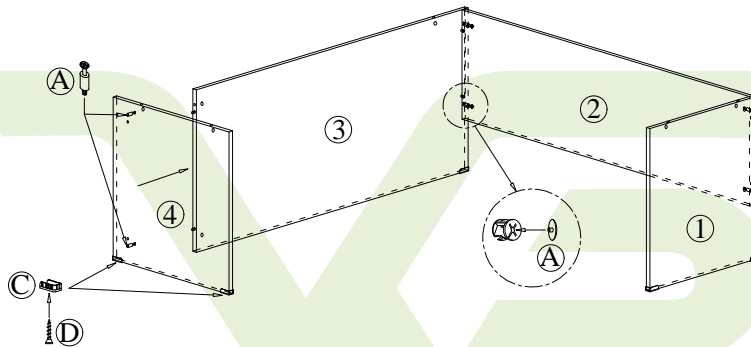
## STEP 1



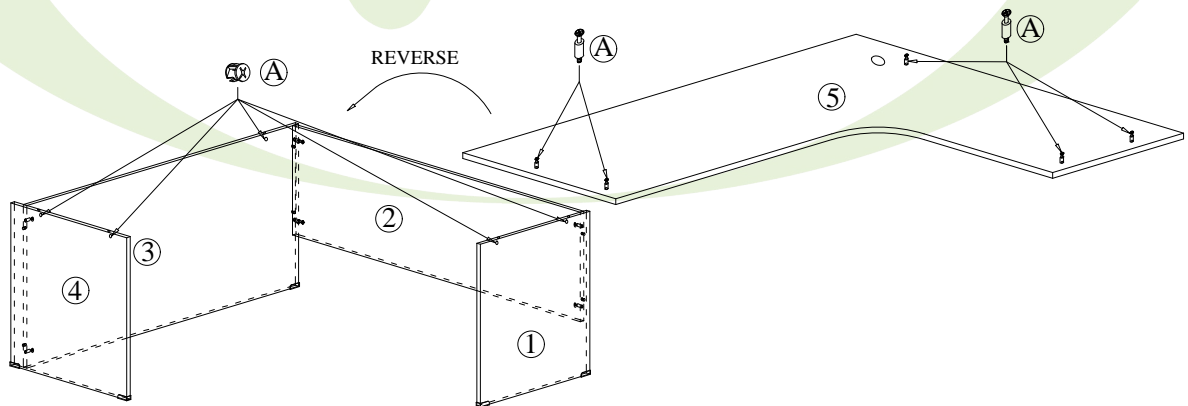
## STEP 2



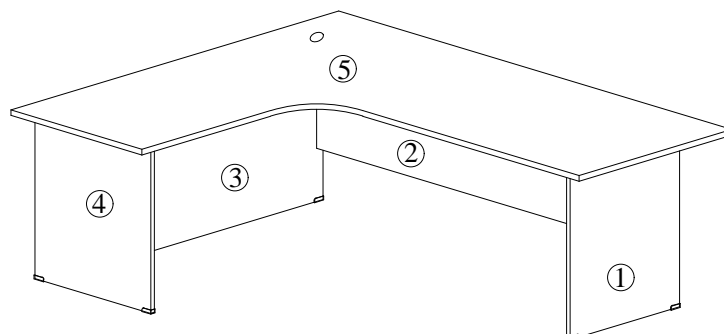
## STEP 3



## STEP 4

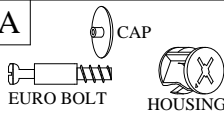


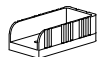
## FINISHING


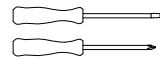



# ASSEMBLY INSTRUCTION

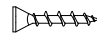
MODEL:EXL1515(L)

| PART  | QTY     |
|---|---------|
|  | 11 Sets |

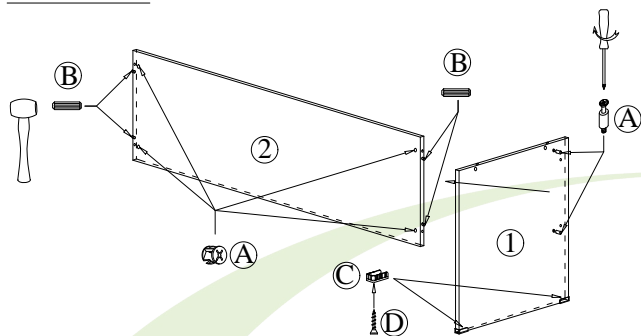
| PART  | QTY   |
|---|-------|
|  | 5 Pcs |

| <i>Tools Required</i>   |  |
|---|--|
|  |  |
| HAMMER  | SCREWDRIVER  |

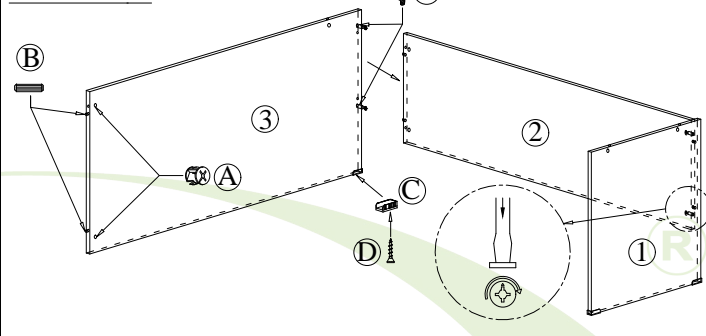
| PART  | QTY   |
|---|-------|
|  | 6 Pcs |

| PART  | QTY   |
|---|-------|
|  | 5 Pcs |

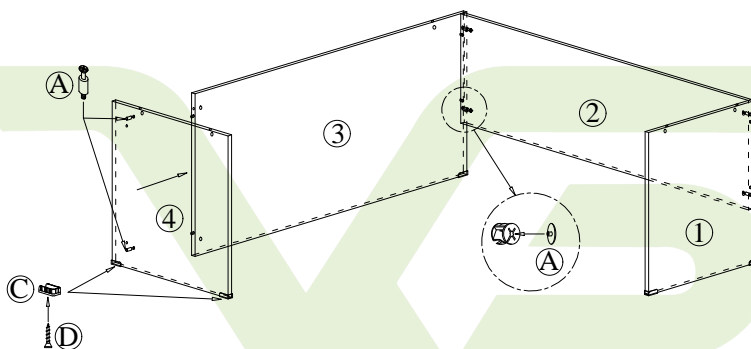
## STEP 1



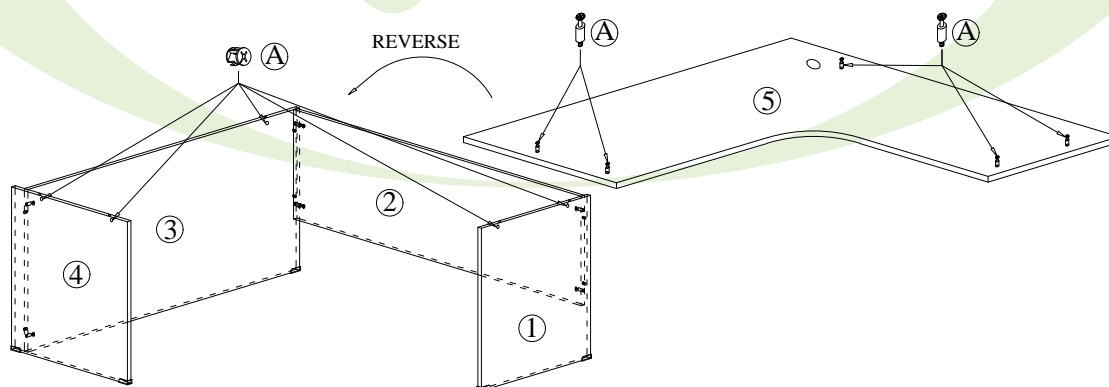
## STEP 2



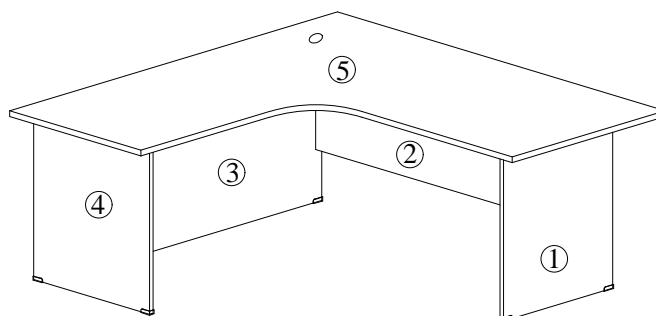
## STEP 3



## STEP 4

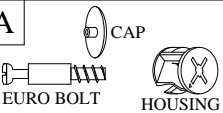


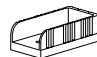
## FINISHING

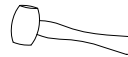
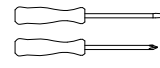



# ASSEMBLY INSTRUCTION

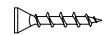
MODEL:EXL652(L)

| PART  | QTY     |
|---|---------|
|  | 11 Sets |

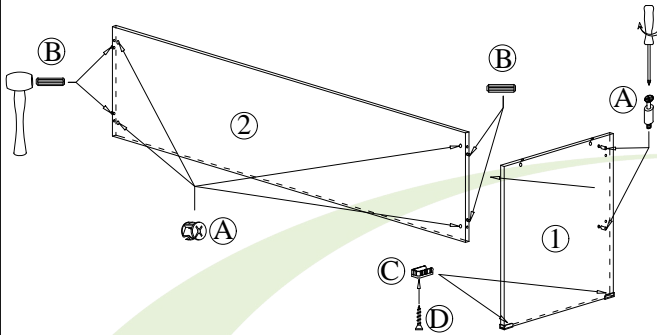
| PART  | QTY   |
|---|-------|
|  | 5 Pcs |

| <i>Tools Required</i>   |  |
|---|--|
|  |  |
| HAMMER  | SCREWDRIVER  |

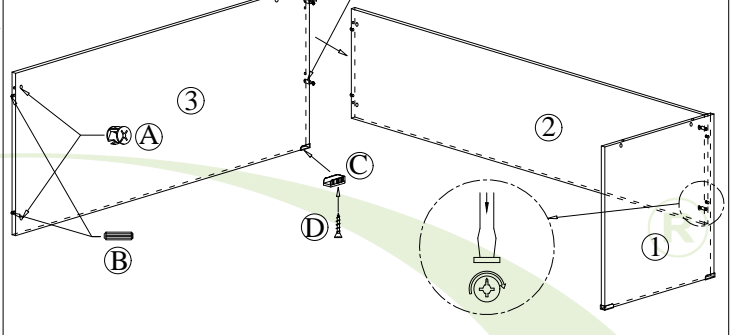
| PART  | QTY   |
|---|-------|
|  | 6 Pcs |

| PART  | QTY   |
|---|-------|
|  | 5 Pcs |

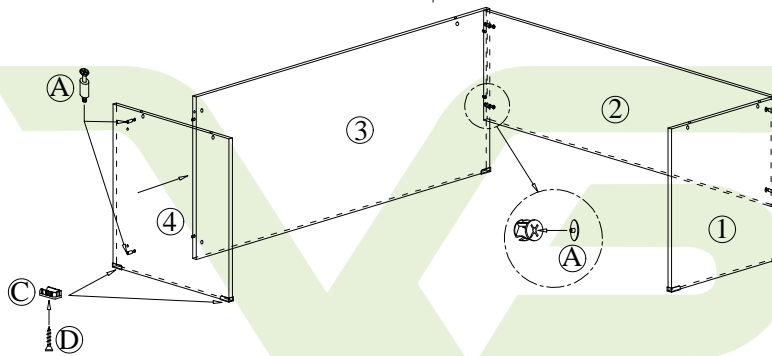
## STEP 1



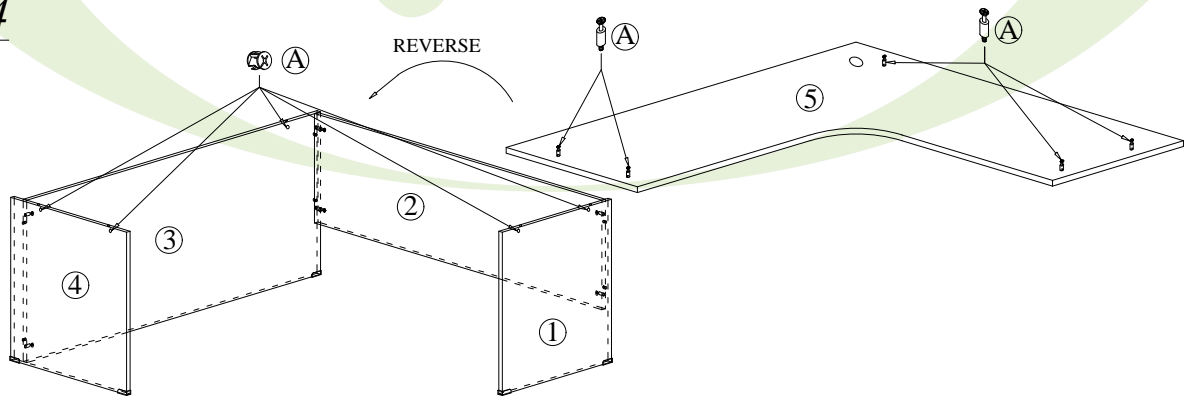
## STEP 2



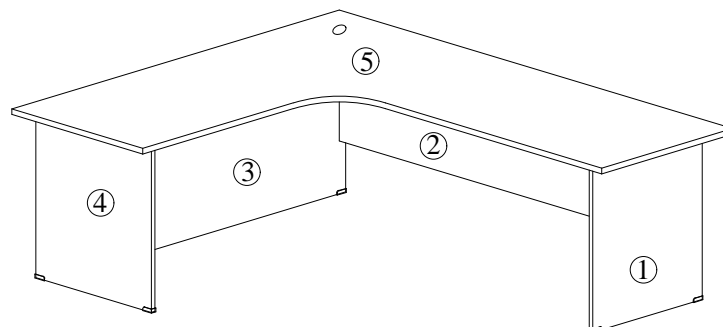
## STEP 3



## STEP 4



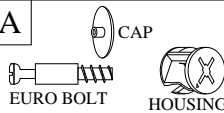
## FINISHING

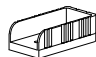


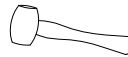
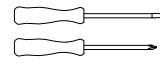



# ASSEMBLY INSTRUCTION

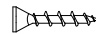
MODEL:EXL552(L)

| PART  | QTY     |
|---|---------|
|  | 11 Sets |

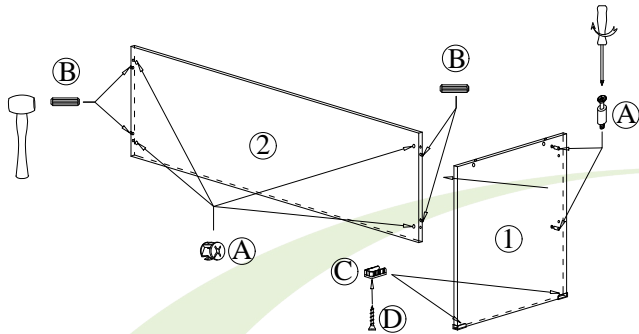
| PART  | QTY   |
|---|-------|
|  | 5 Pcs |

| <i>Tools Required</i>   |  |
|---|--|
|  |  |
| HAMMER  | SCREWDRIVER  |

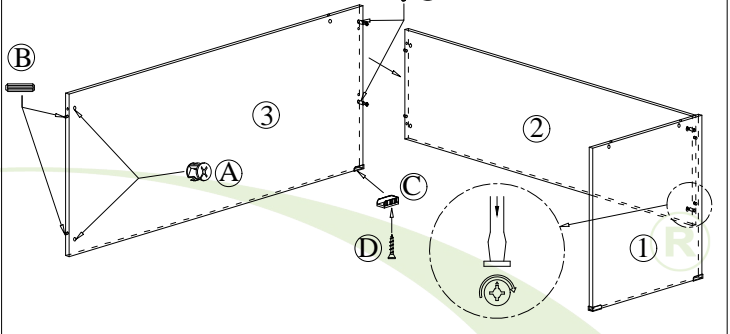
| PART  | QTY   |
|---|-------|
|  | 6 Pcs |

| PART  | QTY   |
|---|-------|
|  | 5 Pcs |

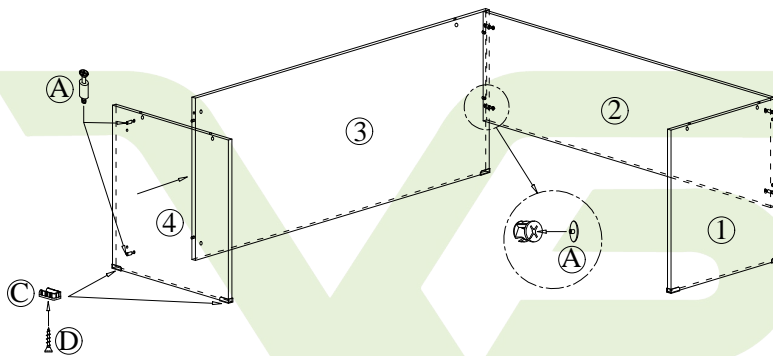
## STEP 1



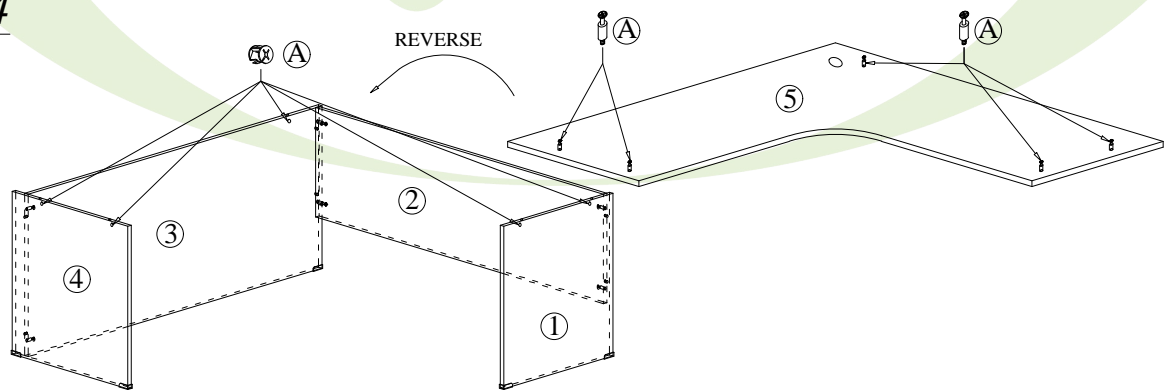
## STEP 2



## STEP 3



## STEP 4



## FINISHING

